


Special Features

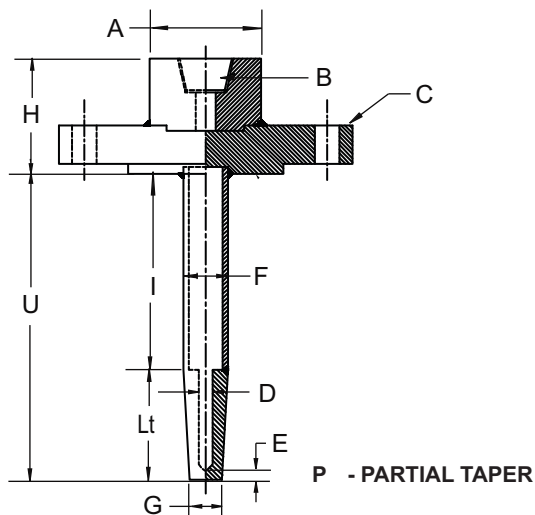
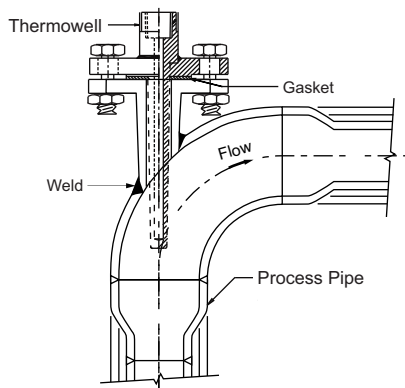
- These thermowells are manufactured from solid bar stock pieces and welded in between as per the longer length requirement and installed into the process by using a bolted flanged connection
- This design is suitable for all type of rtd's, thermocouples, mechanical as well as digital thermometers which are having very longer lengths
- < Full penetration welded at flange area

Applications

- Chemical plants
- Petrochemical plants
- Engineering plants
- On shore
- < Off shore & other similar process industries

Thermowell Drawings

A - Finished Head Size	E - Tip Thickness	U - Insertion Length
B - Instrument Connection	F - Major Diameter	Lt - Taper Length of Tail Bar Stock
C - Flange	G - Minor Diameter	I - Length of Pipe
D - Bore Diameter of Tail Bar Stock	H - Extension Length	

Thermowell Drawings

Thermowell Installation


How To Order					Example
Basic Model					W8
Type					
P - Partial Taper					X
Flange & Stub Material					
LM AISI 316 SS	EN AISI 321 SS	LS Hastelloy C			XX
LN AISI 316L SS	LQ Carbon Steel	LV Titanium			
LP AISI 304 SS	LT Monel	LU Inconel 600			
Note : Other Materials are available on request.					
Instrument Connection					
4BF ½" BSP (F)	5TF ¾" BSPT (F)	6NF 1" NPT (F)	3MF M18 x 1.5 (F)	6MF M24 x 1.5 (F)	XXX
4NF ½" NPT (F)	5NF ¾" NPT (F)	6BF 1" BSP (F)	4MF M20 x 1.5 (F)	7MF M27 x 2 (F)	
4TF ½" BSPT (F)	5BF ¾" BSP (F)	6TF 1" BSPT (F)	5MF M22 x 1.5 (F)	9MF M33 x 2 (F)	
4FF ½" PF (F)	5PF ¾" G (F)	6PF 1" G (F)			
4PF ½" G (F)					
Note : Other Connections are available on request.					
Flange Type					
1 Blind Flange	2 SORF Flange				X
Flange "C" (Size & Rating)					
Refer Flange table for code selection.					XXX
Flange Facing Type					
R Raised Face	F Flat Face	J Ring type joint			X
Flange Finish					
1 - 125 AARH (Standard)	2 - 63 AARH				X
Note : Other Flange finish are available on request.					
Extension / Lagging Length "H" (In case of welding neck flange & threaded flange, consult factory.)					XXX
Please specify in mm For e.g. : for length 50 mm, mention H50					
Finished Head Size "A" (In case of welding neck flange & threaded flange, consult factory.)					XXX
Please Specify in mm e.g. : For 28 mm Finished head Size, Specify A28					
Type Of Head					
L Round Headed	M Round Headed With Spanner Slots.				X
Bore Diameter "D" Of Bar Stock Tail					
A 6.6 mm	B 7 mm	C 8.5 mm	D 9 mm		X
E 10.5 mm	F 11 mm	G 13 mm	H 13.5 mm		

How To Order				Example
Major Diameter "F"				
Pipe Size & Schedule				
A 1/4" Sch 40	C 3/8" Sch 40	E 1/2" Sch 40	H 3/4" Sch 40	X
B 1/4" Sch 80	D 3/8" Sch 80	F 1/2" Sch 80	I 3/4" Sch 80	
		G 1/2" Sch 160	J 3/4" Sch 160	
Other Pipe Sizes & Schedules are available on request.				
Length Of Bar Stock Tail "LT"				
Please specify in mm. e.g. : Specify Lt150 for 150 mm Bar Stock Tail.				XXXXX
Tip Thickness Of Bar Stock Tail "E"				
Standard Tip Thickness is 5 mm. e.g. : Specify E5 for 5 mm Tip Thickness. For others, please specify in mm.				XX
Bar Stock Tail Material				
LM AISI 316 SS	EN AISI 321 SS	LS Hastelloy C		XX
LN AISI 316L SS	EO AISI 310 SS	ES Inconel 625		
LO AISI 316Ti SS	LT Monel	LU Inconel 600		
Note : Other Materials are available on request.				
Insertion Length "U"				
Please specify in mm e.g. : for 1000 mm, mention U1000				XXXXX
OPTIONS				
GG Plug and chain in SS	TC Counter flange with studs, nuts & gasket			XX
FW Electro polishing	CW Marking by Laser			
CX Marking by Engraving	SX SS Tag Plate			
Tests & Certification				
C4 Ultrasonic Test	T1 Chemical Composition Test			
C5 PMI Test	T2 3.1 B Material Conformity Certificate			
C6 IGC Test	T3 Radiography for Welding			
H1 Hydro Test	T4 Dye Penetration Test			
Ordering Example:				
W8 . X . XX . XXX . X . XXX . X . X . XXX . XXX . X . X . X . XXXXX . XX . XX . XXXXX . XX				

Flange Table With Connection Codes
As Per EN 1092-1

DN	PN	CODE
10	6	A01
	10	A02
	16	A03
	25	A04
	40	A05
	64	A06
	100	A07
	160	A08
	250	A09
	400	A10
15	6	A11
	10	A12
	16	A13
	25	A14
	40	A15
	64	A16
	100	A17
	160	A18
	250	A19
	400	A20
20	6	A21
	10	A22
	16	A23
	25	A24
	40	A25
25	6	A26
	10	A27
	16	A28
	25	A29
	40	A30
	64	A31
	100	A32
	160	A33
	250	A34
	400	A35
32	6	A36
	10	A37
	16	A38
	25	A39
	40	A40
40	6	A41
	10	A42
	16	A43
	25	A44
	40	A45
	64	A46
	100	A47
	160	A48
	250	A49
	400	A50
50	6	A51
	10	A52
	16	A53
	25	A54
	40	A55
	64	A56
	100	A57
	160	A58
	250	A59
	400	A60

AS PER JIS - B 2239

NOMINAL SIZE	RATING /CLASS	CODE
10A	5K	B57
	10K	B58
	40K	B59
	5K	B60
15A	10K	B61
	40K	B62
	5K	B63
20A	10K	B64
	40K	B65
	5K	B66
25A	10K	B67
	40K	B68
	5K	B69
32A	10K	B70
	40K	B71
	5K	B72
40A	10K	B73
	40K	B74
	5K	B75
50A	10K	B76
	40K	B77
	5K	B78
65A	10K	B79
	40K	B80
	5K	B81
80A	10K	B82
	40K	B83

AS PER ANSI B 16.5

NOMINAL SIZE	RATING /CLASS	CODE
1/2"	150	B09
	300	B10
	600	B11
	900	B12
	1500	B13
	2500	B14
3/4"	150	B15
	300	B16
	600	B17
	900	B18
	1500	B19
	2500	B20
1"	150	B21
	300	B22
	600	B23
	900	B24
	1500	B25
	2500	B26
1 1/4"	150	B27
	300	B28
	600	B29
	900	B30
	1500	B31
	2500	B32
1 1/2"	150	B33
	300	B34
	600	B35
	900	B36
	1500	B37
	2500	B38
2"	150	B39
	300	B40
	600	B41
	900	B42
	1500	B43
	2500	B44
2 1/2"	150	B45
	300	B46
	600	B47
	900	B48
	1500	B49
	2500	B50
3"	150	B51
	300	B52
	600	B53
	900	B54
	1500	B55
	2500	B56

AS PER BS - 10

NOMINAL SIZE	TABLE	CODE
1/2"	D	B84
	E	B85
	F	B86
	H	B87
	J	B88
	K	B89
	D	B90
3/4"	E	B91
	F	B92
	H	B93
	J	B94
1"	K	B95
	D	B96
	E	B97
	F	B98
	H	B99
	J	C01
	K	C02
1 1/4"	D	C03
	E	C04
	F	C05
	H	C06
	J	C07
	K	C08
1 1/2"	D	C09
	E	C10
	F	C11
	H	C12
	J	C13
	K	C14
	D	C15
2"	E	C16
	F	C17
	H	C18
	J	C19
	K	C20
	2 1/2"	D
E		C22
F		C23
H		C24
J		C25
K		C26
D		C27
3"	E	C28
	F	C29
	H	C30
	J	C31
	K	C32

Note : Specifications and dimensions given in this product catalogue represents the state of engineering at the time of printing .
Modifications may take place and materials specified may be replaced by others without prior notice.